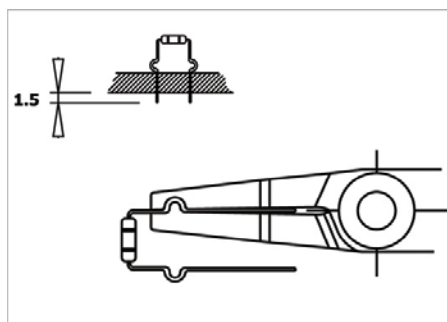


# Forming pliers

145 mm



## SPECIFICATION:

Variants

ESD

Cross-section of jaws

Special shape/45°

Length

145 mm

Art. Nr.

RND 550-00074